



GLEA01A2B



Actual product appearance may vary.

Global Limit Switches Series GLS: Side Rotary With Roller - Adjustable, 1NC 1NO SPDT Snap Action, 0.5 in - 14NPT conduit

Features

- Designed to IEC standard for world-wide applications
- UL, CSA, and CE
- International conduit sizes
- Direct PLC interface compatible (two circuit)
- Modular construction reduces maintenance parts costs
- Designed for ease of installation
- Variety of basic switch versions
- Wide choice of actuators

Potential Applications

- Machine tools: metal fabrication equipment, presses, transfer lines and special machinery
- Material handling equipment: conveyors, elevators, cranes, and hoists
- Packaging machinery and process equipment
- Textile machinery
- Construction machinery and equipment, vehicles and lift trucks

Description

The GLS series limit switches are specifically designed for world-wide applications and are supported by Honeywell global resources for sale and after sale service.

Product Specifications	
Availability	Global
Operating Force (O.F.)	0,165 N m [1.50 in lb]
Pretravel (P.T.)	26°
Overtravel (O.T.)	49°
Differential Travel (D.T.)	8°
Product Type	EN50041/47 Global Limit Switch
Actuator	Side Rotary
Lever Style	Roller - Adjustable
Circuitry	1NC 1NO SPDT Snap Action
Ampere Rating	10 A (Thermal)
Supply Voltage	300 Vac and 250 Vdc max.
Housing Material	Zinc Die-Cast

Termination Type	0.5 in - 14NPT conduit
Housing Type	EN 50047 Compatible
Series Name	GLS DIN
Shock	50 g per IEC 68-2-27c (w/o Actuator)
Vibration	10 g per IEC 68-2-6 (w/o Actuator)
Sealing	NEMA 1, 4, 12, 13 IP66
Approvals	UL, CSA, CE
CSA File #	LR94369-3
UL File #	E37138 & E157416
Mechanical Life	10 million
Operating Temperature Range	-40 °C to 85 °C [-40 °F to 185 °F]
Comment	Roller Material: Steel
Agency Approvals and Standards	IEC 947-5-1, EN60947-5-1, UL508
UNSPSC Code	302119
UNSPSC Commodity	302119 Switches and controls and relays
Sealed	Industrial
Operating Position (O.P.)	26°

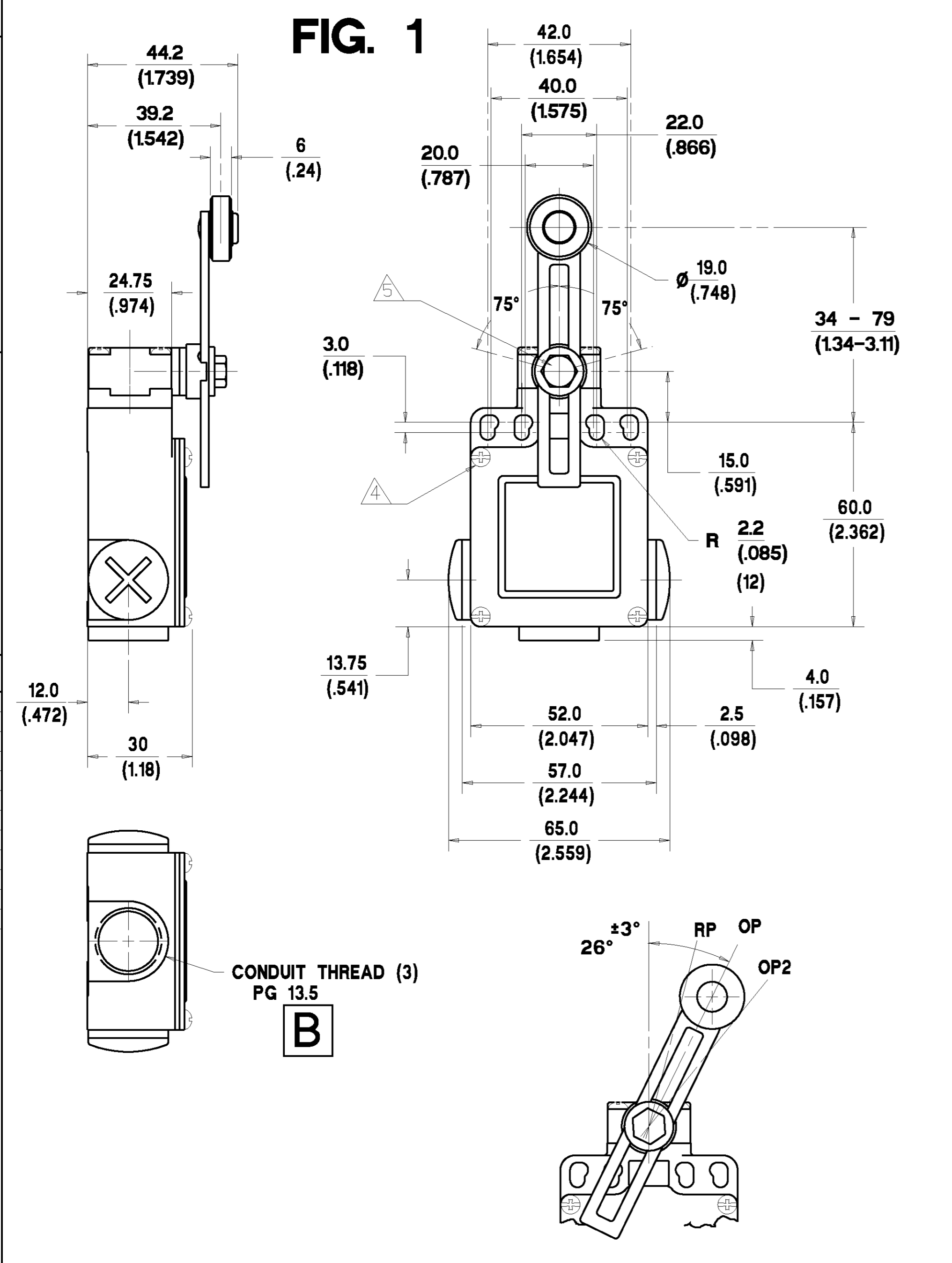
MTG-GL-193

REPLACES
DRAWING NUMBER
AO1B-185

ISSUE
6

REVISIONS
2 9/96
AO1B-276
3 12/96
AO1B-293
4 7/97
CO-000085
5 8/97
CO-000106
6 CO/395
IW 6/98

Honeywell
LIMIT SWITCH
CATALOGUE LISTING
GLS
CHART NO.
MTG-GL-193



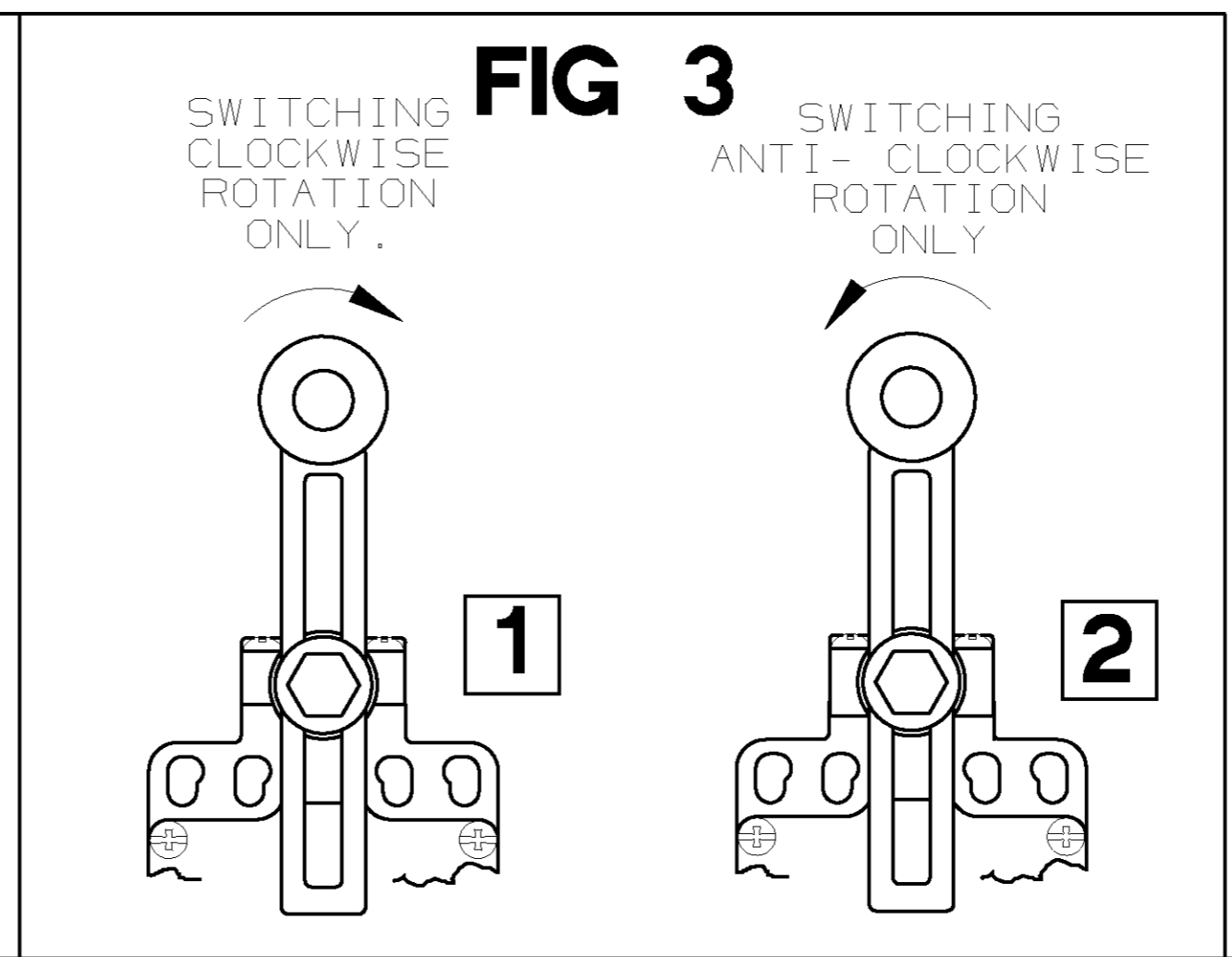
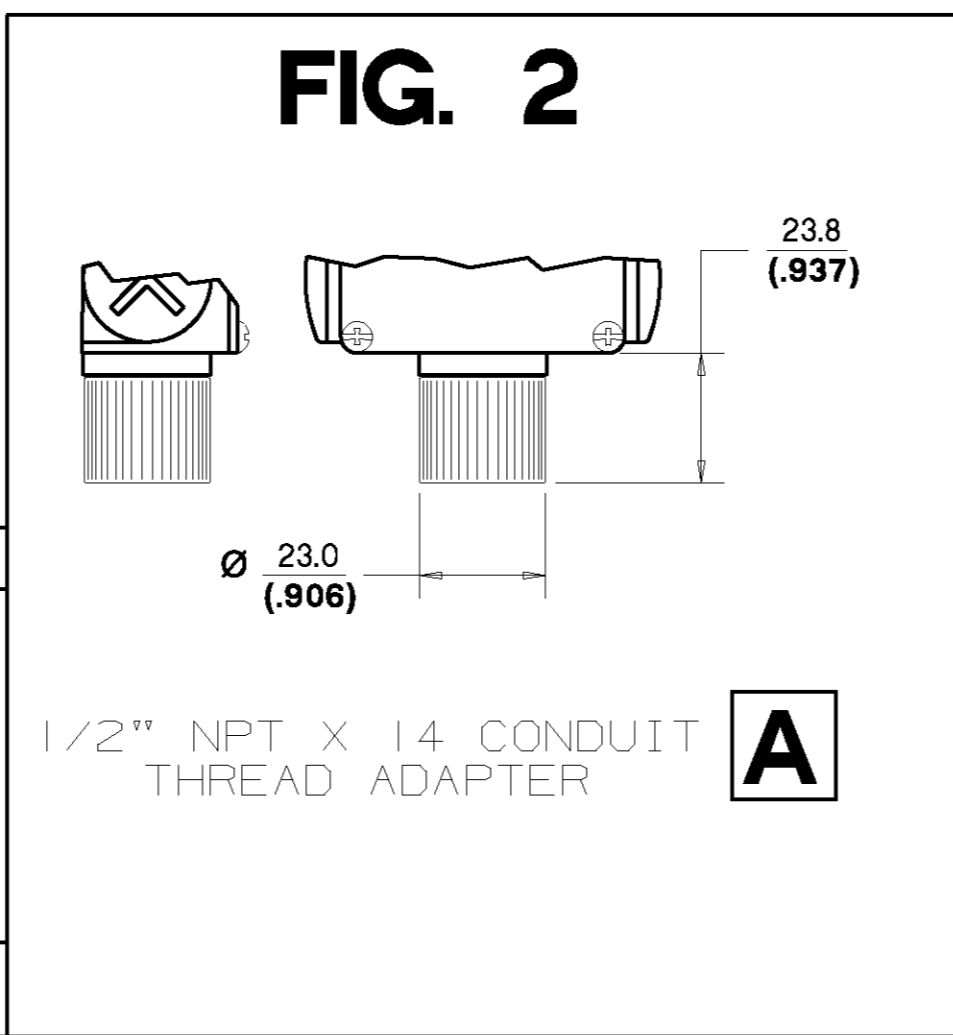
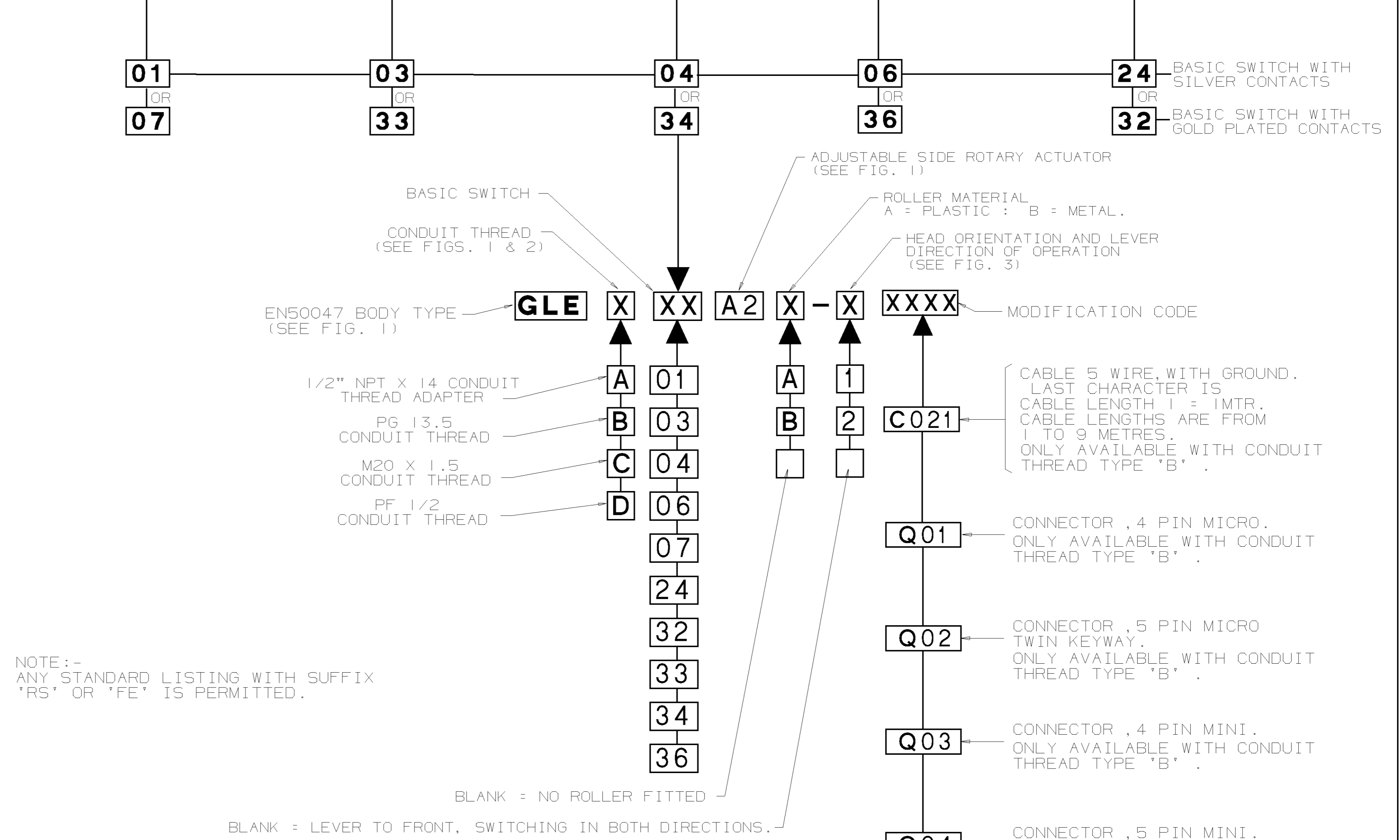
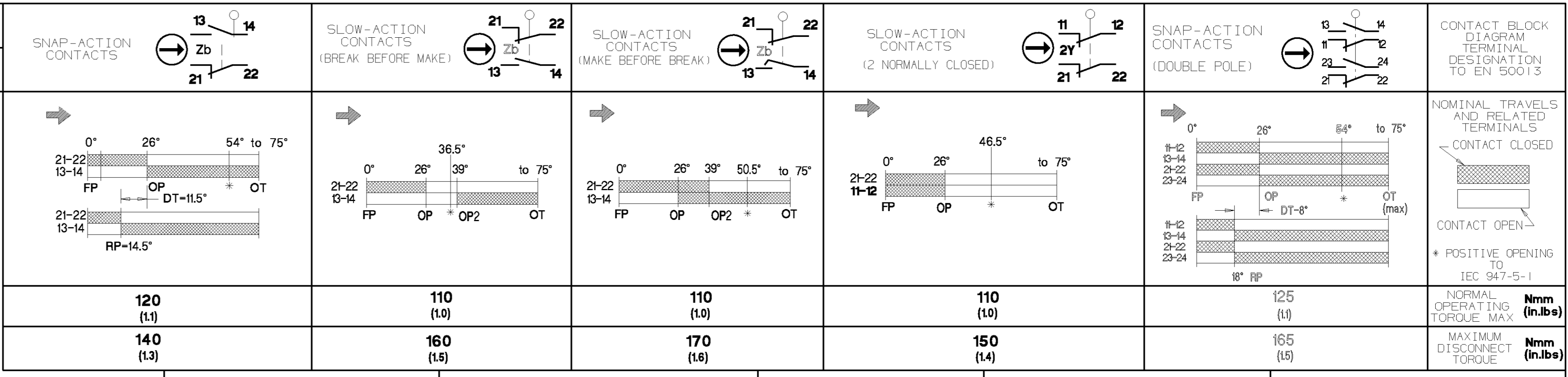
NOTES:-

- ZINC DIECAST BODY AND HEAD WITH STEEL COVER. BODY AND COVER FINISHED IN MICRO SWITCH BLUE EPOXY PAINT. HEAD FINISHED IN BLACK EPOXY PAINT.
- MINIMUM OPERATING VELOCITY (V_{min}) = 0.26 rad/s
MAXIMUM OPERATING VELOCITY (V_{max}) = 25 rad/s
MAXIMUM OPERATING FREQUENCY (F_{max}) = 250 OPS/MIN
- FREE POSITION (FP), OPERATING POINT (OP), OVERTRAVEL (OT) AND PRETRAVEL (PT) ALL TO EN50047.

⚠ MAXIMUM TIGHTENING TORQUE FOR FIXING SCREW = 0.5Nm (4.4in.LB)
⚠ MAXIMUM TIGHTENING TORQUE FOR FIXING SCREW = 0.8Nm (7in.LB)

NO CHANGES CAN BE MADE TO THIS DRAWING WITHOUT JOINT NEWHOUSE/FREEPORT APPROVAL

STANDARD SILVER CONTACTS	GOLD PLATED CONTACTS	ENVIRONMENTAL		APPROVALS
ELECTRICAL RATING		ENVIRONMENTAL		 IEC 947-5-1 EN50047
AC	DC	IP66 NEMA 1, 4, 12, 13		
A300 AC15 Ue 1e	O300 DC13 Ue 1e	TEMP RANGE : -25°C TO 85°C -13°F TO 185°F		
VOLTS AMPS 120 6 240 3	VOLTS AMPS 125 0.55 250 0.27	STORAGE : -40°C TO 85°C -40°F TO 185°F		
I _{th} = 10A		SHOCK : 50G PER IEC 68-2-27		
IV 10μA MIN. 50V 100mA MAX.		VIBRATION : 10G PER IEC 68-2-6		
SCALE 1:1		DIMENSIONS ARE IN MM/INCHES.		MODIFY ON CAD SYSTEM ONLY



NOTE:- CABLE AND CONNECTOR WILL BE FITTED TO BOTTOM EXIT CONDUIT ONLY. OTHER OPTIONS CUSTOMER SPECIAL 'N' LISTING.